

# 4 Door Rear Floor Panel

Rack Serial # 0000-0 Map 1

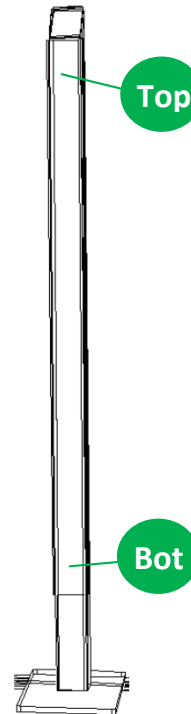
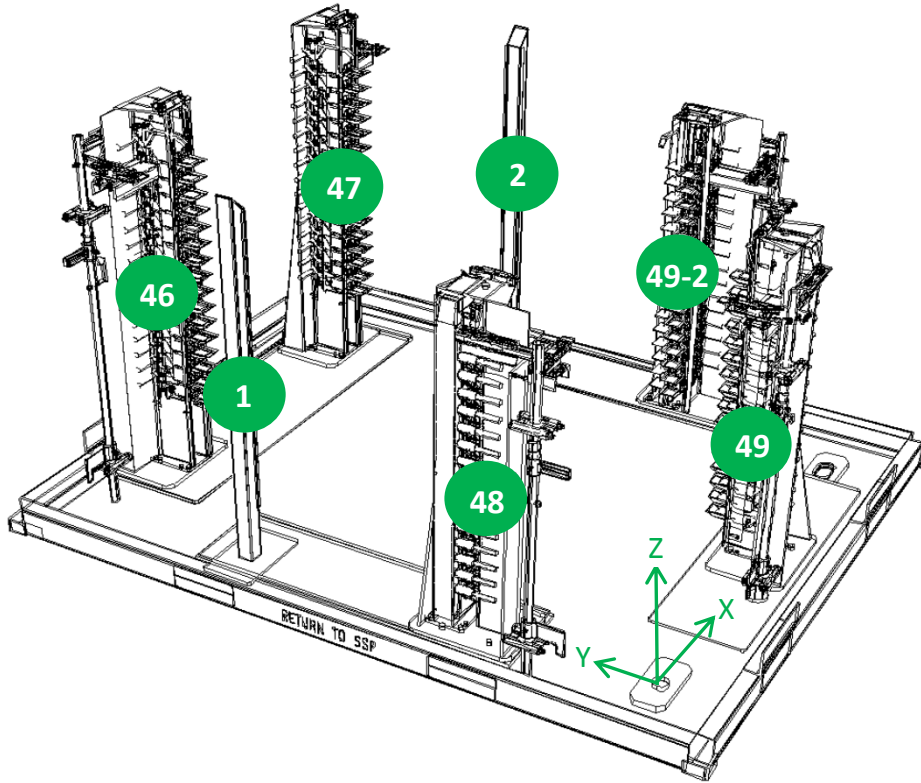
**Scope of Work:**

Pitch between 4 Way and 2 Way. Location of (2) front faces on (5) towers and (2) guide towers.

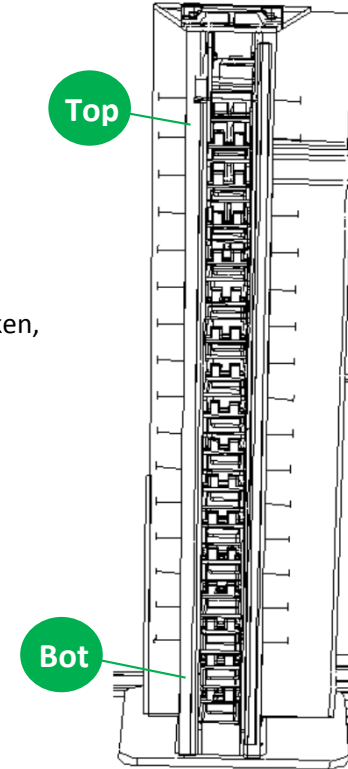
**Date:** October 12, 2016

**Units:** inches

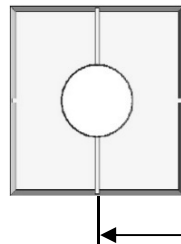
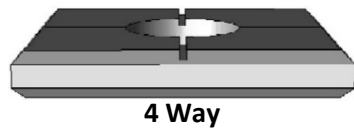
**Tolerance:** ± .060



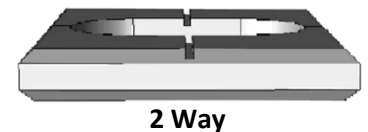
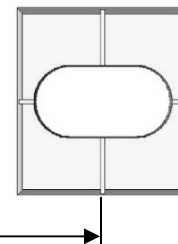
(2) X or Y planes taken,  
(1) at the top and  
(1) at the bottom



www.avidquality.com



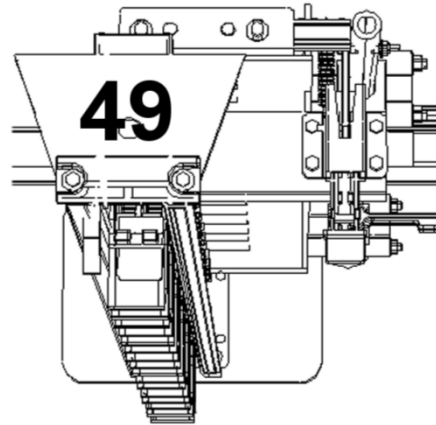
0.006  
out of tol  
47.933



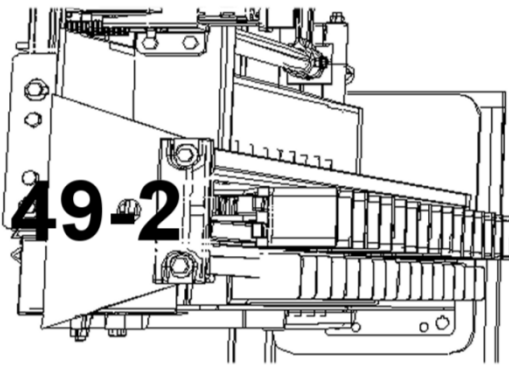
← 48.000 →

# 4 Door Rear Floor Panel

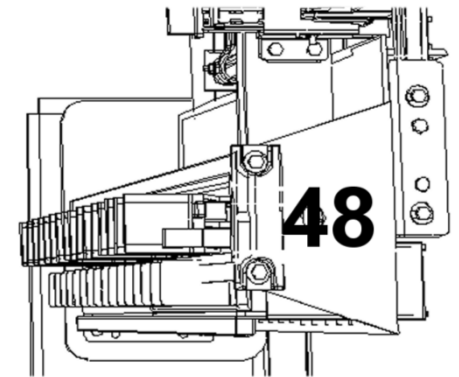
Rack Serial # 0000-0 Map 2



	Nominal	Actual	Out of Tol
Top	2.872	2.908	
Bottom	2.872	2.909	



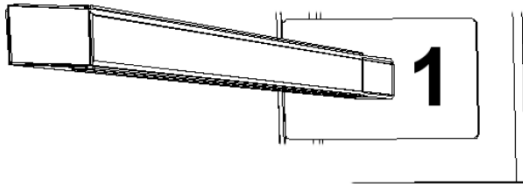
	Nominal	Actual	Out of Tol
Top	47.520	47.539	
Bottom	47.520	47.555	



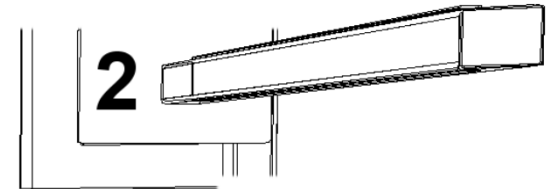
	Nominal	Actual	Out of Tol
Top	0.501	0.591	0.03
Bottom	0.501	0.527	

# 4 Door Rear Floor Panel

Rack Serial # 0000-0 Map 3



	Nominal	Actual	Out of Tol
Top	-4.500	-4.461	
Bottom	-4.500	-4.403	0.037



	Nominal	Actual	Out of Tol
Top	52.500	52.542	
Bottom	52.500	52.412	0.028

	Nominal	Actual	Out of Tol
Top	62.750	62.744	
Bottom	62.750	62.704	

	Nominal	Actual	Out of Tol
Top	62.750	62.877	0.067
Bottom	62.750	62.780	

